

3P Technik Filtersysteme GmbH



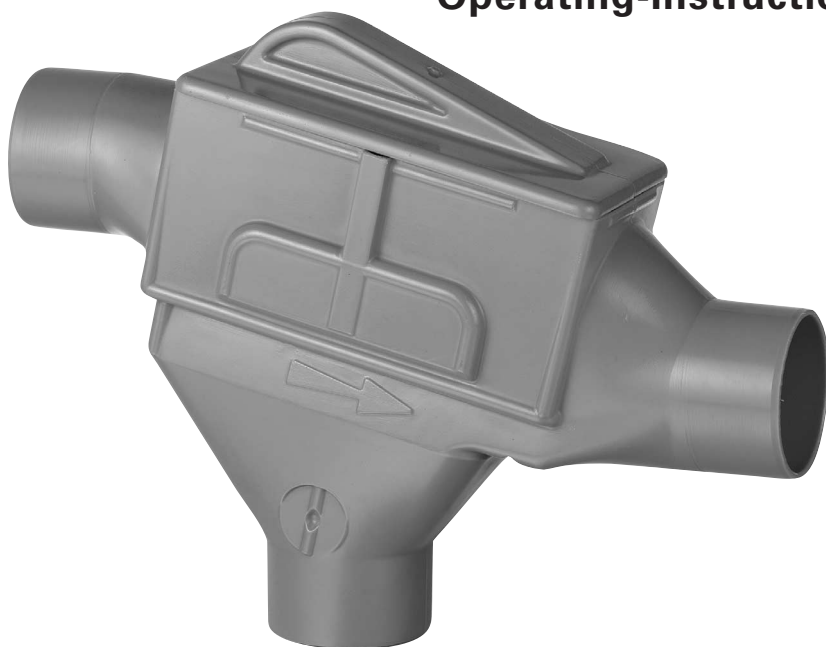
Innovative Rainwater Harvesting

3P Zisternen Filter ZF

Rainwaterfilter ... for installation in rainwater tanks

Installation
Installation-Instructions

Operating
Operating-Instructions



www.3PTechnik.com

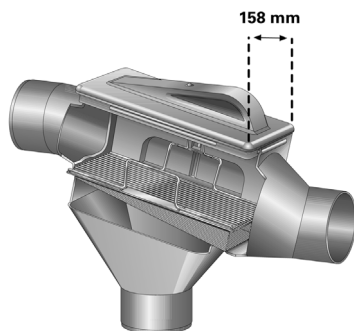
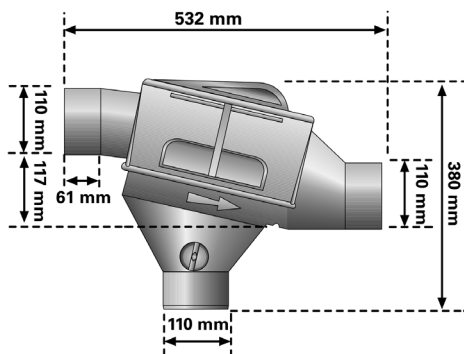
From our rainwater product range:



3P Zisternen Filter ZF

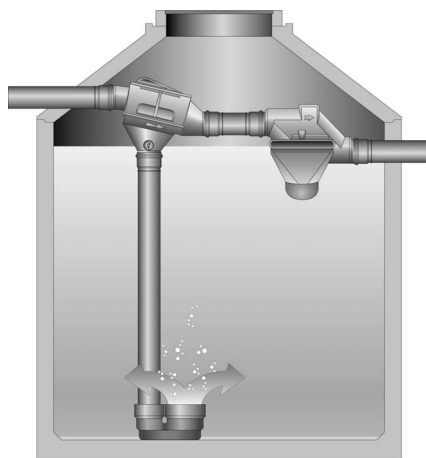
Please read the instructions for installation and handling of your 3P Zisternen Filter ZF rainwater filter carefully, and follow the advice.

1. Technical data



2. Installation advice

The 3P Zisternen Filter is ideally suited for use in conjunction with a 3P Overflow Siphon Duo for installation in a tank with a height difference between the Inlet and outlet from 22 cm.



Recommended Accessories

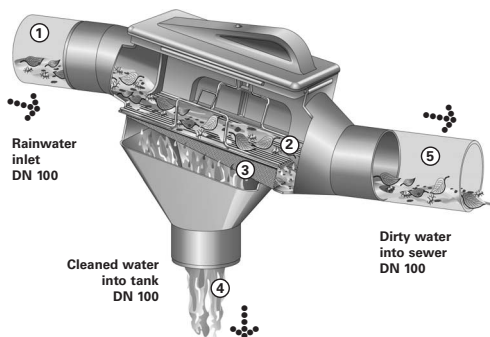
3P Rapid Connector



For a simple and rapid connection of the filter within tanks

Art.-Nr. 1000210

3. How it works

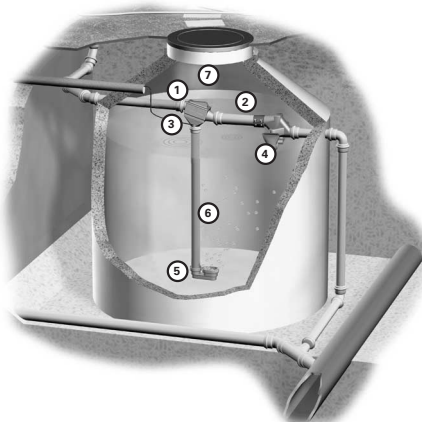


- ① Rainwater is led onto the first filtration step.
- ② Coarse and larger dirt particles are led away to sewer/waste
- ③ The pre-filtered rainwater, having passed the primary filter, reaches the second and finer filter. From here finer dirt passes to waste, clean water to the tank.
- ④ The cleaned rainwater is led through a calmed flow inlet into the rainwater tank
- ⑤ Due to the steep inclination of the fine filter and its smooth surface structure the dirt is quickly cleaned away into the sewer.

4. Installation advice

- Connect up the Inlet with socket pipe connection, or a connector piece.
- Connect the overflow to the tank overflow outlet or the 3P Overflow Siphon Duo with a socket connector pipe or use a 3P Rapid Connector.
- Connect a calmed flow inlet via a vertical pipe, cut to the required length. Filter can be fully supported by the standing pipe and 3P Calmed Inlet.

5. 3P Zisternen Filter in tank



- ① 3P Zisternen Filter with:
- ② - 3P Rapid Connector
- ③ - Connection for optional 3P Backwashing Device
- ④ - 3P Overflow Siphon Duo
- ⑤ - 3P Calmed Flow Inlet
- ⑥ - Standing pipe

Backwashing Device ZF



- + Backwashing Device
- + Profi Connection Set

Art.-Nr. 1000455

3P Automatic Backwashing Device ZF



- + Backwashing device
- + Profi connection set
- + Programmable timing device

Art.-Nr. 1000456



6. Maintenance advice

Monitor the filter condition regularly.
Remove the filter lid and lift out the filter insert.
Maintenance inspections are especially useful in spring and autumn, and after long dry periods!
When testing the sieve, examine the filter by holding up against the light and inspect for blocked holes in the filter mesh.
As necessary clean the filter with a brush, using a little washing up liquid to dissolve any fatty deposits or hydrocarbon build up.
You may also put the filter insert into a dishwasher.
The filter insert is made of stainless steel.

Use of the Optional Backwashing Device (see page 3)!
The filter is simply and easily cleaned with the backwashing device.
A small jet nozzle is installed below the secondary filter sieve. The strong jet of water rinses the mesh effectively and dislodges the dirt.
With the next rain any remaining loosened dirt particles are effectively rinsed away.

3P Backwashing Device



7. Guarantee

3P Technik Filtersysteme GmbH offers this product the guarantee required by law (from date of purchase).

Regenwasser@3PTechnik.de

www.3PTechnik.com